

# MOTOR 6in HIGH TEMP 90°C



# 6" Encapsulated Motor

„HighTemp 90°C“

Standard:

**SAND FIGHTER**



## Submersible Motors

### Quality in the Well

These 6" encapsulated motors, manufactured in ISO 9001 certified facilities, are built for dependable operation in 6" diameter or larger water wells with ambient temperature up to 90°C.

Water lubricated thrust and radial bearings enable a maintenance free operation. A special diaphragm ensures pressure compensation inside the motor. The motor is filled with a special FES92 fluid, providing frost protection down to -15°C storage temperature.

The Sand fighter® SiC seal system is standard.

### Product advantages:

- Up to 90°C ambient temperature
- Increase thrust capacity up to 30°C
- No cooling flow in larger wells (12" / open reservoirs) up to 30°C ambient
- Hermetically sealed encapsulated stator, anti track, self healing stator resin
- Removable "Water Bloc" lead connector
- „Sand fighter®“ Motor with SiC-Mechanical Seal
- High efficiency electrical design for low operation cost
- All motors prefilled and 100% tested. Max. storage temperature -15°C - + 60°C
- High temperature leads
- Non contaminating FES92 -filled design
- 45kN Thrust Bearing Capacity is Standard

### Technical Specifications

- 3,7 ... 30 kW
- 6" NEMA double flange
- Protection: IP 68
- Starts per hour: 20
- Installation: vertical/horizontal
- Standard Voltage: 380-415V/50Hz, 460V/60Hz
- Voltage tolerance 50Hz: -10% / +6%  $U_N$  [380-415V = (380-10%) – (415+6%)]
- Voltage tolerance 60Hz:  $\pm 10\% U_N$
- Motor protection: Select thermal overloads according to DIN 61947-4-1
- Insulation: Class F
- Rated ambient temperature: 90°C
- Cooling flow: min. 0,16 m/s
- DOL / YΔ - start (pos. of cables 90°)
- Motor lead in 4m length

### Options

- Other voltages
- Motors complete in 316 SS

### 6" HighTemp90 Model Numbers 50 Hz

P <sub>N</sub> [kW]	P <sub>N</sub> [Hp]	U <sub>N</sub> [V]	Model Number Digit 1 – 6		Model Number Digit 7 - 11	
			DOL	Y $\Delta$	304	316SS
<b>3,7</b>	5	380 - 415	276 610	276 710	0000	3000
<b>5,5</b>	7,5	380 - 415	276 611	276 711	0000	3000
<b>7,5</b>	10	380 - 415	276 612	276 712	0000	3000
<b>11</b>	15	380 - 415	276 613	276 713	0000	3000
<b>15</b>	20	380 - 415	276 614	276 714	0000	3000
<b>18,5</b>	25	380 - 415	276 615	276 715	0100	3100
<b>22</b>	30	380 - 415	276 616	276 716	0100	3100
<b>30</b>	40	380 - 415	276 617	276 717	0100	3100

### 6" HighTemp90 Model Numbers 60 Hz

P <sub>N</sub> [kW]	P <sub>max.</sub> [kW]	U <sub>N</sub> [V]	Model Number Digit 1 – 6		Model Number Digit 7 - 11		
			DOL	Y $\Delta$	304	316SS	High Thrust 45000N Motor Version
3,7	<b>4,3</b>	230	276 600	276 720	0000X	3000X	**63X
		380	276 660	276 780	0000X	3000X	**63X
		460	276 610	276 710	0000X	3000X	**63X
5,5	<b>6,3</b>	230	276 601	276 721	0000X	3000X	**63X
		380	276 661	276 781	0000X	3000X	**63X
		460	276 611	276 711	0000X	3000X	**63X
7,5	<b>8,6</b>	230	276 602	276 722	0000X	3000X	**63X
		380	276 662	276 782	0000X	3000X	**63X
		460	276 612	276 712	0000X	3000X	**63X
11	<b>12,6</b>	230	276 603	276 723	0000X	3000X	**63X
		380	276 663	276 783	0000X	3000X	**63X
		460	276 613	276 713	0000X	3000X	**63X
15	<b>17,2</b>	230	276 604	276 724	0000X	3000X	**63X
		380	276 664	276 784	0000X	3000X	**63X
		460	276 614	276 714	0000X	3000X	**63X
18,5	<b>21,3</b>	230	276 605	276 725	0100X	3100X	**63X
		380	276 665	276 785	0100X	3100X	**63X
		460	276 615	276 715	0100X	3100X	**63X
22	<b>25,3</b>	230	276 606	276 726	0100X	3100X	Standard
		380	276 666	276 786	0100X	3100X	Standard
		460	276 616	276 716	0100X	3100X	Standard
30	<b>34,5</b>	230	276 607	276 727	0100X	3100X	Standard
		380	276 667	276 787	0100X	3100X	Standard
		460	276 617	276 717	0100X	3100X	Standard



## 6" HighTemp 90 Performance Data 50 Hz

P <sub>N</sub> [kW]	Thrust F [N]	U <sub>N</sub> [V]	n <sub>N</sub> [min <sup>-1</sup> ]	I <sub>N</sub> [A]	I <sub>A</sub> [A]	η (Eff.) [%] at % load			cos φ (Pf.) at % load			T <sub>N</sub> [Nm]	T <sub>A</sub> [Nm]
						50	75	100	50	75	100		
						<b>3,7</b>	45.000	380	2865	8,8	49,9		
	400	2880	8,5	52,5	66	72		75	0,74	0,82	0,86	12,3	31,4
	415	2890	8,4	54,5	65	72		75	0,70	0,79	0,84	12,3	34,2
<b>5,5</b>	45.000	380	2880	12,7	78,6	70	75	77	0,77	0,85	0,88	18,6	42,8
		400	2890	12,3	83,0	70	75	77	0,72	0,81	0,86	18,4	48,3
		415	2900	12,3	86,0	69	75	77	0,67	0,77	0,84	18,4	52,4
<b>7,5</b>	45.000	380	2880	16,4	105	74	78	80	0,76	0,84	0,88	24,7	68,1
		400	2890	16,0	110	74	79	81	0,69	0,79	0,85	24,5	76,6
		415	2900	16,1	114	71	77	80	0,65	0,76	0,83	24,5	83,4
<b>11,0</b>	45.000	380	2880	24,4	152	75	79	80	0,74	0,83	0,85	37,0	99,1
		400	2890	24,2	160	74	79	80	0,67	0,77	0,82	36,9	111,4
		415	2895	24,4	166	73	78	79	0,61	0,73	0,79	36,7	123,5
<b>15,0</b>	45.000	380	2865	33,3	195	76	79	80	0,73	0,82	0,87	49,6	143,7
		400	2885	33,0	205	75	79	80	0,65	0,77	0,83	49,4	161,3
		415	2890	33,3	213	74	78	80	0,60	0,72	0,80	49,2	196,6
<b>18,5</b>	45.000	380	2870	40,7	253	79	82	82	0,70	0,80	0,86	61,9	199,3
		400	2890	40,5	266	78	82	83	0,62	0,74	0,82	61,5	227,8
		415	2895	41,4	276	76	80	82	0,57	0,69	0,78	61,4	248,1
<b>22</b>	45.000	380	2870	49,2	289	76	79	80	0,76	0,83	0,88	74,3	196,6
		400	2885	48,0	304	75	79	81	0,70	0,80	0,85	74,0	221,0
		415	2895	47,9	316	74	79	80	0,65	0,76	0,82	73,8	241,3
<b>30</b>	45.000	380	2870	65,0	419	80	82	83	0,70	0,80	0,86	99,2	267,1
		400	2885	64,5	441	79	82	83	0,63	0,75	0,82	98,7	301,0
		415	2895	65,6	458	77	81	83	0,58	0,70	0,78	98,4	326,7

### Electrical Connection

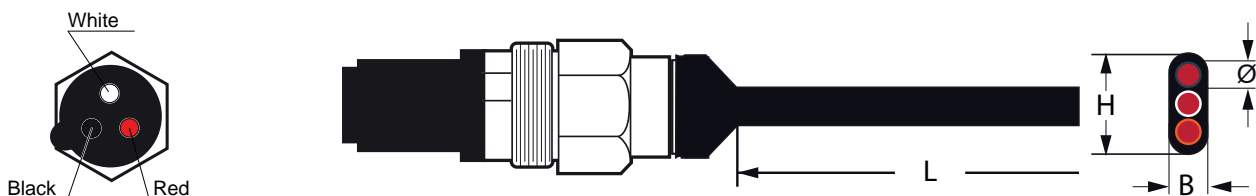
DOL	YD								
<table border="1" style="margin: auto; border-collapse: collapse;"> <thead> <tr style="background-color: #0070C0; color: white;"> <th>U</th> <th>V</th> <th>W</th> <th>PE</th> </tr> </thead> <tbody> <tr> <td style="text-align: center;">black</td> <td style="text-align: center;">white</td> <td style="text-align: center;">red</td> <td style="text-align: center;">green</td> </tr> </tbody> </table>		U	V	W	PE	black	white	red	green
U	V	W	PE						
black	white	red	green						

### 6" HighTemp 90 Performance Data 60 Hz

$P_N$ [kW]	$P_{max}$ [kW]	Thrust [N]	$U_N$ [V]	Hz	$n_N$ [min <sup>-1</sup> ]	$I_{max}$ [A]	$I_A$ [A]	LINE TO LINE RESISTANCE OHMS
<b>4,0</b>	<b>4,6</b>	45.000	230	60	3450	17.2	108	.68 - .84
			380	60	3450	10.4	66.0	2.0 - 2.4
			460	60	3450	8.6	54.0	2.8 - 3.4
			575	60	3450	6.9	43.0	4.7 - 5.7
<b>5,5</b>	<b>6,3</b>	45.000	230	60	3450	24.6	168	.41 - .50
			380	60	3450	14.9	102	1.1 - 1.4
			460	60	3450	12.3	84.0	1.7 - 2.0
			575	60	3450	9.9	67.0	2.6 - 3.2
<b>7,5</b>	<b>8,6</b>	45.000	230	60	3450	31.6	238	.28 - .35
			380	60	3450	19.2	144	.80 - .98
			460	60	3450	15.8	119	1.2 - 1.4
			575	60	3450	12.7	95.0	1.8 - 2.2
<b>11</b>	<b>12,7</b>	45.000	230	60	3450	47.4	354	.19 - .24
			380	60	3450	28.7	214	.52 - .65
			460	60	3450	23.7	177	.78 - .96
			575	60	3450	19.0	142	1.2 - 1.4
<b>15</b>	<b>17,3</b>	45.000	230	60	3450	64.0	418	.14 - .18
			380	60	3450	38.8	253	.41 - .51
			460	60	3450	32.0	209	.58 - .72
			575	60	3450	25.6	167	.93 - 1.15
<b>18,5</b>	<b>21,3</b>	45.000	230	60	3450	78.8	578	.11 - .14
			380	60	3450	47.7	350	.27 - .34
			460	60	3450	39.4	289	.41 - .51
			575	60	3450	31.6	231	.70 - .86
<b>22</b>	<b>25,3</b>	<b>45.000</b>	230	60	3450	94.4	640	.09 - .12
			380	60	3450	57.2	387	.23 - .29
			460	60	3450	47.2	320	.34 - .42
			575	60	3450	37.8	256	.52 - .65
<b>30</b>	<b>34,5</b>	<b>45.000</b>	380	60	3450	76.0	545	.18 - .23
			460	60	3450	62.8	450	.23 - .29
			575	60	3450	50.2	360	.34 - .43

### 6" High Temp 90 Motor Leads\* 304 / 316SS

$P_N$ [kW]	Jam Nut Material	L [m]	$\emptyset$ [mm <sup>2</sup> ]	H [mm]	B [mm]	Part numbers
All Ratings	316 SS	5	3 x 8,4 mm <sup>2</sup>	21,5 mm (±0,3mm)	9,4 mm (±0,3mm)	305 602 905
		8				305 602 906



\*Cables are designed for submerged operation. For air operation please consult Franklin Electric.



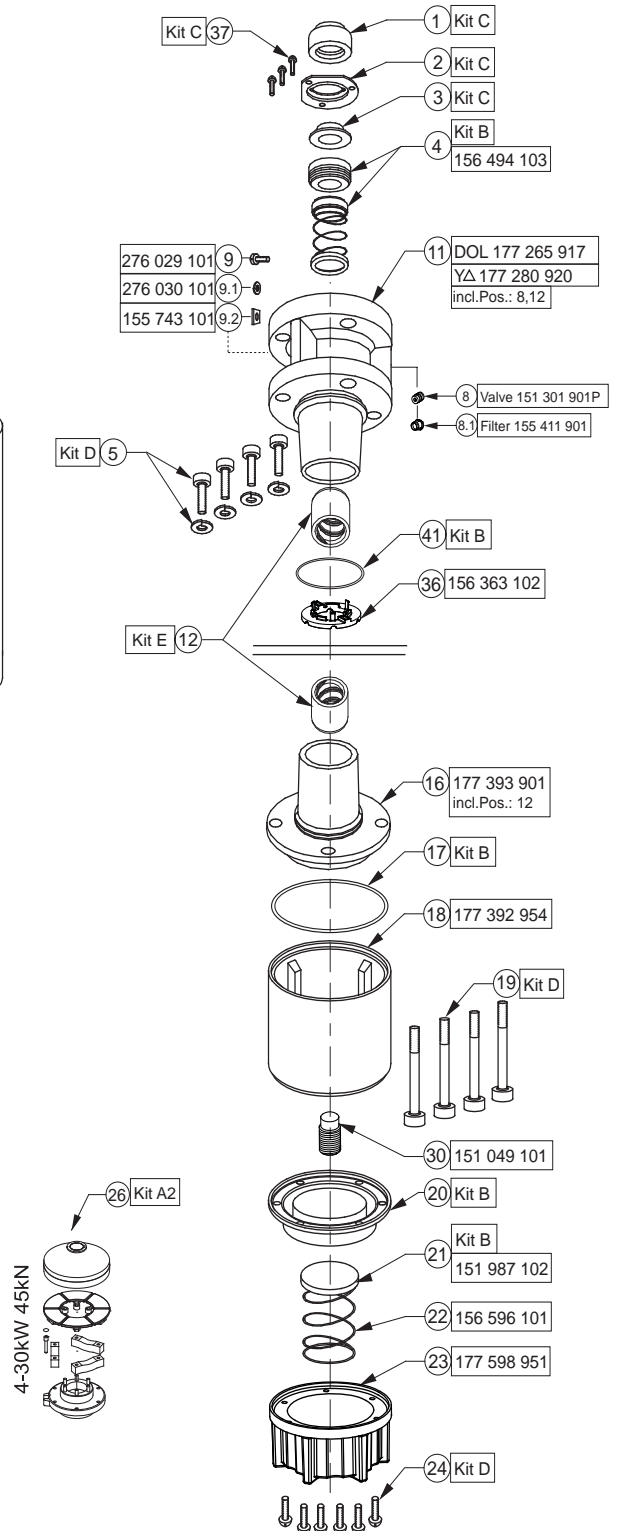
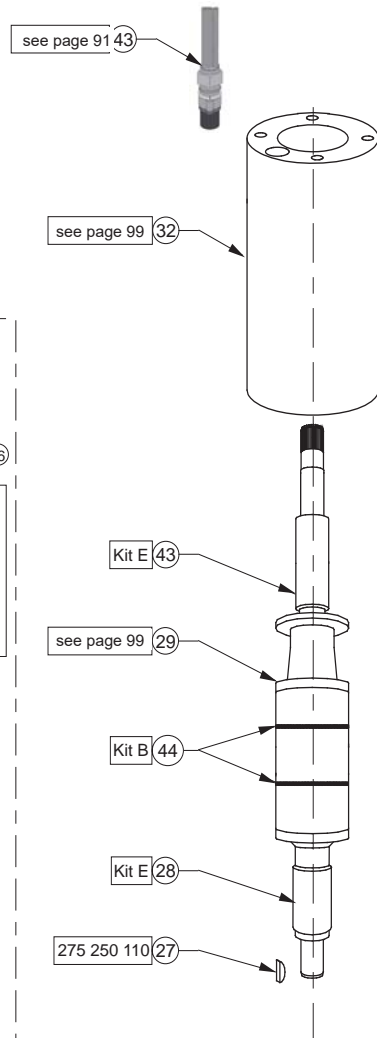
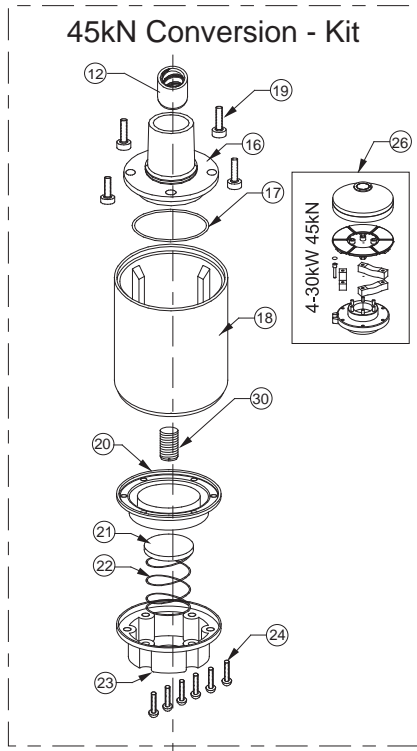


## 6" HighTemp 90 Encapsulated Cast Iron Version

**4 - 30 kW**

Kit A2	Thrust Bearing 15.500N	Incl.Pos.: 25; 26	308 750 120
Kit A3	Thrust Bearing 27.500N	Incl.Pos.: 26	308 750 200
Kit A4	Thrust Bearing 45.000N	Incl.Pos.: 26	308 750 510
<b>45kN Conversion Kit A4 4,0 - 30kW</b>		incl. Pos.: 12; 16; 17; 18; 19 ; 20; 21; 22; 23; 24; 26; 30	<b>308 750 500</b>
Kit B3	Seal Kit	Incl.Pos.: 4; 17; 20; 21, 41; 44	308 800 250
Kit C4	Slinger Kit	Incl.Pos.: 1; 2; 3; 37	308 725 155
Kit D5	Screw Kit	Incl.Pos.: 5; 19; 24	308 659 155
Kit E*	Radial Bearing Kit	Incl.Pos.: 12; 28	308 678 101

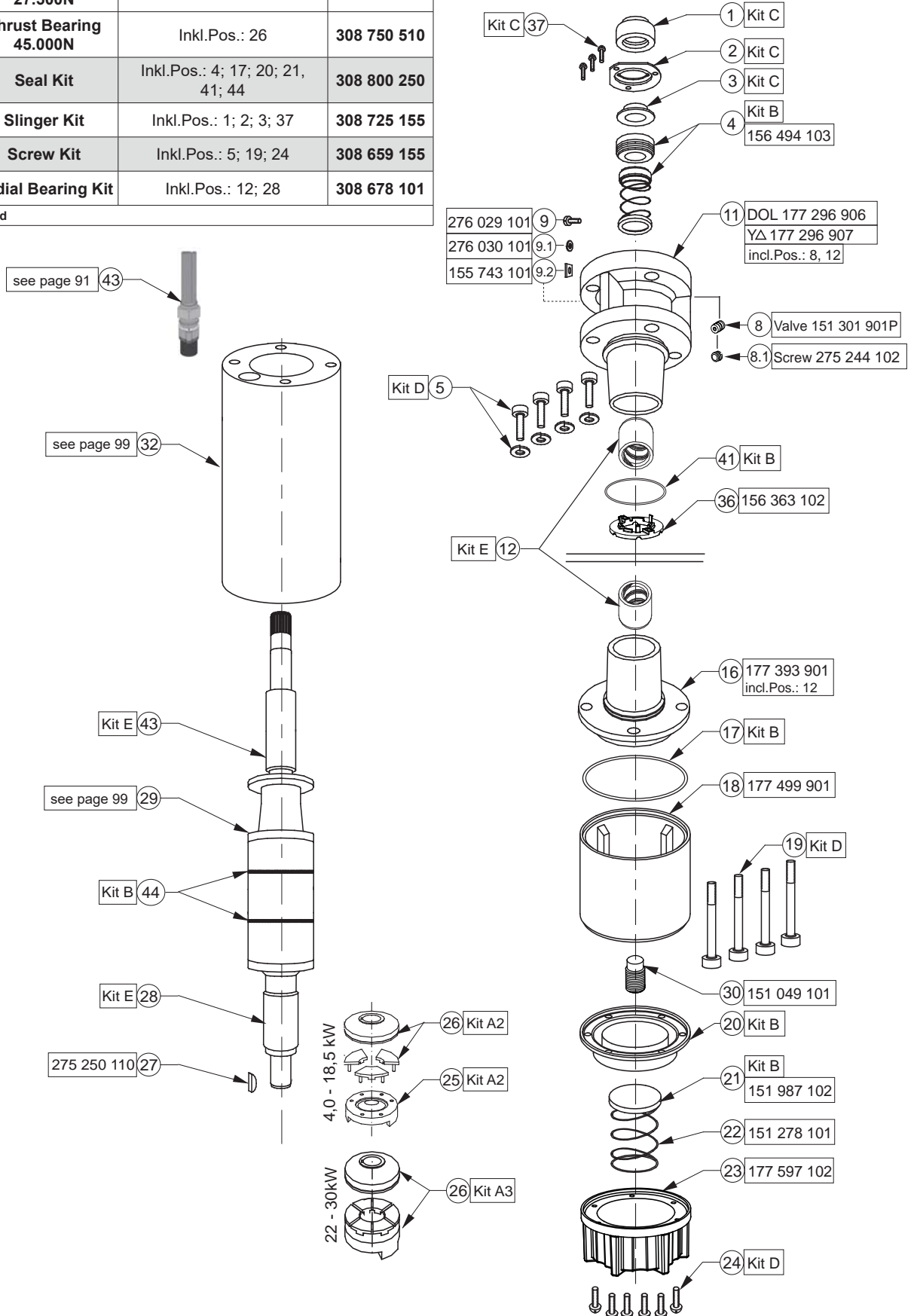
\* Parts are unfinished



## 6" HighTemp 90 Encapsulated 316SS 4-30 kW

<b>Kit A2</b>	<b>Thrust Bearing 15.500N</b>	Inkl.Pos.: 25; 26	<b>308 750 120</b>
<b>Kit A3</b>	<b>Thrust Bearing 27.500N</b>	Inkl.Pos.: 26	<b>308 750 200</b>
<b>Kit A4</b>	<b>Thrust Bearing 45.000N</b>	Inkl.Pos.: 26	<b>308 750 510</b>
<b>Kit B3</b>	<b>Seal Kit</b>	Inkl.Pos.: 4; 17; 20; 21, 41; 44	<b>308 800 250</b>
<b>Kit C4</b>	<b>Slinger Kit</b>	Inkl.Pos.: 1; 2; 3; 37	<b>308 725 155</b>
<b>Kit D5</b>	<b>Screw Kit</b>	Inkl.Pos.: 5; 19; 24	<b>308 659 155</b>
<b>Kit E*</b>	<b>Radial Bearing Kit</b>	Inkl.Pos.: 12; 28	<b>308 678 101</b>

\* Parts are unfinished





### 6" HighTemp 90 Replacement Stators and Rotors 50 Hz

P <sub>N</sub> [kW]	U <sub>N</sub> [V]	Thrust F [N]	DOL		YΔ		Rotor 316 Model No.
			Motor Model No.	Stator 316 Model No.	Motor Model No.	Stator 316 Model No.	
<b>3,7</b>	380 - 415	45.000	276 610 *****	331 634 903	276 710 *****	331 668 902	305 575 901
<b>5,5</b>	380 - 415	45.000	276 611 *****	331 635 903	276 711 *****	331 666 902	305 575 902
<b>7,5</b>	380 - 415	45.000	276 612 *****	331 636 903	276 712 *****	331 667 902	305 575 903
<b>11,0</b>	380 - 415	45.000	276 613 *****	305 482 974	276 713 *****	331 668 902	305 575 904
<b>15,0</b>	380 - 415	45.000	276 614 *****	331 616 903	276 714 *****	331 617 903	305 575 905
<b>18,5</b>	380 - 415	45.000	276 615 *****	305 485 972	276 715 *****	331 669 903	305 575 906
<b>22,0</b>	380 - 415	45.000	276 616 *****	305 486 976	276 716 *****	331 614 903	305 223 920
<b>30,0</b>	380 - 415	45.000	276 617 *****	305 490 913	276 717 *****	331 670 903	305 223 921

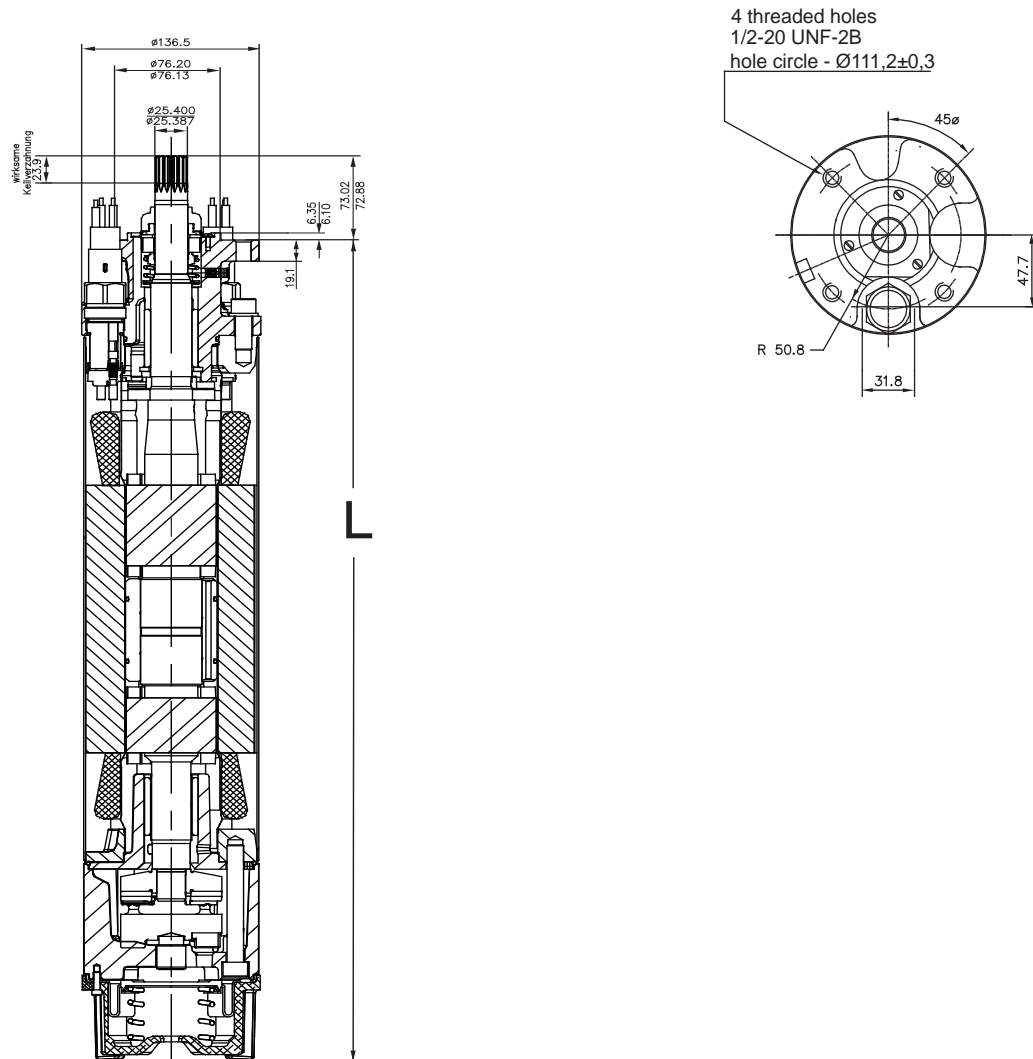
### 6" HighTemp 90 Replacement Stators and Rotors 60 Hz

P <sub>max</sub> [kW]	U <sub>N</sub> [V]	Thrust F [N]	DOL		YΔ		Rotor 316 Model No.
			Motor Model No.	Stator 316 Model No.	Motor Model No.	Stator 316 Model No.	
<b>4,3</b>	230	45.000	276 600	331 *** **	276 720	331 *** **	305 575 901
	380	45.000	276 660	331 *** **	276 780	331 *** **	
	460	45.000	276 610	331 *** **	276 710	331 *** **	
<b>6,3</b>	230	45.000	276 601	331 *** **	276 721	331 *** **	305 575 902
	380	45.000	276 661	331 *** **	276 781	331 *** **	
	460	45.000	276 611	331 *** **	276 711	331 *** **	
<b>8,6</b>	230	45.000	276 602	331 *** **	276 722	331 *** **	305 575 903
	380	45.000	276 662	331 *** **	276 782	331 *** **	
	460	45.000	276 612	331 *** **	276 712	331 *** **	
<b>12,6</b>	230	45.000	276 603	331 *** **	276 723	331 *** **	305 575 904
	380	45.000	276 663	331 *** **	276 783	331 *** **	
	460	45.000	276 613	331 *** **	276 713	331 *** **	
<b>17,2</b>	230	45.000	276 604	331 *** **	276 724	331 *** **	305 575 905
	380	45.000	276 664	331 *** **	276 784	331 *** **	
	460	45.000	276 614	331 *** **	276 714	331 *** **	
<b>21,3</b>	230	45.000	276 605	331 *** **	276 725	331 *** **	305 575 906
	380	45.000	276 665	331 *** **	276 785	331 *** **	
	460	45.000	276 615	305 485 902	276 715	331 *** **	
<b>25,3</b>	230	45.000	276 606	331 *** **	276 726	331 *** **	305 223 920
	380	45.000	276 666	331 *** **	276 786	331 *** **	
	460	45.000	276 616	331 *** **	276 716	331 *** **	
<b>34,5</b>	230	45.000	276 607	331 *** **	276 727	331 *** **	305 223 921
	380	45.000	276 667	331 *** **	276 787	331 *** **	
	460	45.000	276 617	331 *** **	276 717	331 *** **	



## 6" HighTemp 90 Motor Design 4 - 30 kW

304 / 316SS



Material DIN / AISI		
Part	304	316 SS
Shell	1.4301	1.4571
Upper end bell	Cast iron powder coated	1.4408
Lower end bell	Cast iron	1.4401
Thrust housing	Cast iron powder coated	1.4408
Mechanical seal	SiC / SiC	SiC / SiC
Seal cover	1.4301	1.4401
Slinger	Viton	Viton
Shaft end	1.4305	1.4542
Diaphragm	Viton	Viton
Lead	EPR	EPR
Jam Nut (Lead)	1.4401	1.4401
Lead bushing	1.4401	1.4401

Motor Sizes				
$P_N$ [kW]	304 L [mm]	316 L [mm]	Motor Package Size [mm]	Shipping Weight [kg]
4	716	716	222 x 267 x 876	53
5,5	752	752	222 x 267 x 940	59
7,5	780	780	222 x 267 x 1073	66
11	846	846	222 x 267 x 1073	71
15	909	909	222 x 267 x 1302	79
18,5	1041	1041	222 x 267 x 1302	92
22	1476,7	1476,7	223 x 267 x 1823	140
30	1629,2	1629,2	223 x 267 x 1823	156



**PT. Multi Screen Indonesia**

Jl. Tanah Pasir Mas no. 17 & 08 Penjaringan  
Jakarta 14440

T: +62 21 5596 7923 F: +62 21 5596 4821

E: [info@submersiblepump.co.id](mailto:info@submersiblepump.co.id)

[www.submersiblepump.co.id](http://www.submersiblepump.co.id)



Authorized Dealer of

**Franklin Electric**