

FPS

Franklin Solar Pumping System



Franklin Electric

FPS 4400

Franklin Electric Sandhandler Tri-Seal 4" Submersible Pumps



Seal 1

Phenolic washer provides axial sealing as impeller floats in the stage

Seal 2

Stainless steel hub seal is captured but not stationary, floating with the impeller for maximum sealing

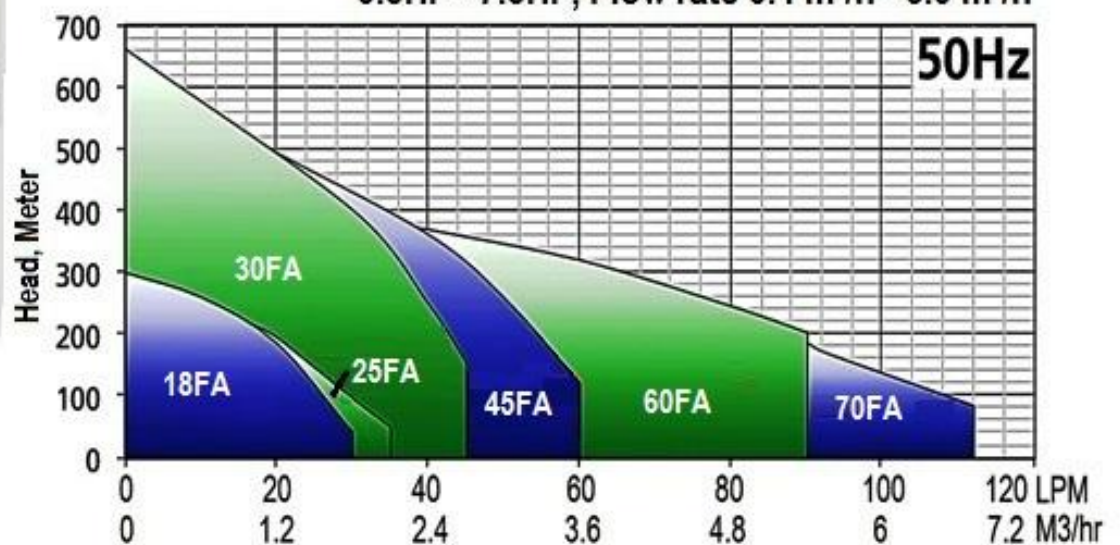
Seal 3

Stainless steel impeller eye seal.



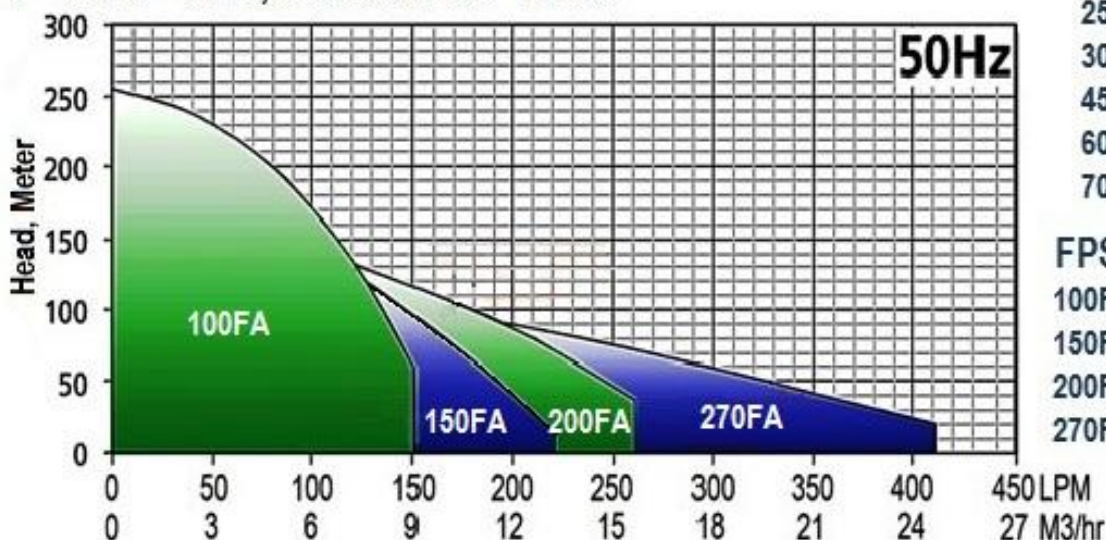
The standard FPS 4400 4" submersible pump features the new Tri-Seal floating stage system. This new stage system further improves efficiency and protects against wear when pumping abrasives like sand

FPS 4400 Pumps 0.5HP - 7.5HP, Flow rate 0.4 m³/h - 6.0 m³/h



FPS 4400 Pumps - HIGH CAPACITY PUMPS

4" - 0.75HP - 7.5HP, Flow rate 6 m³/h - 16 m³/h



4400 Tri-Seal Pumps

- 18FA - 18 LPM Tri-Seal
- 25FA - 25 LPM Tri-Seal
- 30FA - 30 LPM Tri-Seal
- 45FA - 45 LPM Tri-Seal
- 60FA - 60 LPM Tri-Seal
- 70FA - 70 LPM Tri-Seal

FPS High Cap Series

- 100FA - 100 LPM Tri-Seal
- 150FA - 150 LPM Tri-Seal
- 200FA - 200 LPM Tri-Seal
- 270FA - 270 LPM Tri-Seal



Franklin Pump System "SR SERIES" 6 & 8" Stainless Steel Pumps, SS 304 & 316



The FPS SR Series water pumps were designed specifically for municipal and industrial applications where high grade stainless steel is required.

FPS SR Series - SUBMERSIBLE PUMPS Stainless Steel 304 - 316

5 HP ~ 150 HP ; 6 m³/h ~ 120 m³/h

6" Rated 14 M³/H – 14SR D 3"

6" Rated 19 M³/H – 19SR D 3" -

6" Rated 25 M³/H – 25SR D 3" -

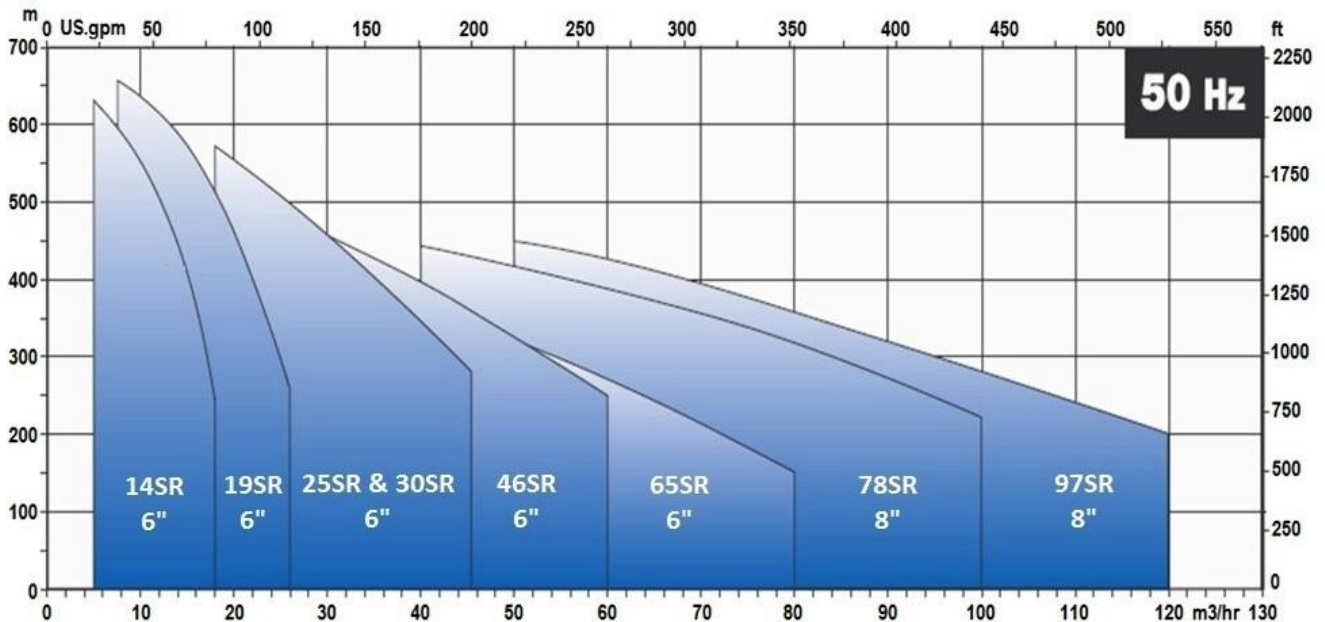
6" Rated 30 M³/H – 30SR D 3" -

6" Rated 46 M³/H – 46SR D 3" -

6" Rated 65 M³/H – 65SR D 3 1/4"

8" Rated 78 M³/H – 78SR D 4"

8" Rated 97 M³/H – 97SR D 6"



SSI Series

Franklin Pump System - Stainless Steel Series



Stainless Steel Pumps 4", 6", 8" & 10"

Power : 0,5HP - 250HP, Flow rate : 0,5 m³/h - 270 m³/h, Max Head : 340 m

SSI 4" : 2SSI (0,5~3,5 m³/h), 3SSI (1~4,5 m³/h), 5SSI (2~6,5 m³/h), 8SSI (3~11 m³/h),
4SSI (4~18 m³/h)

SSI 6" : 30SSI (16~38 m³/h), 36SSI (24~52 m³/h), 42SSI (36~58 m³/h), 60SSI (30~78 m³/h),
75SSI (42~96 m³/h), 90SSI (75~3120 m³/h)

SSI 8" : 72 SSI (60~104 m³/h), 96 SSI (68~112 m³/h)

SSI 10" : 108SSI (82~138 m³/h), 120SSI (84~150 m³/h), 160SSI (120~195 m³/h) ,
215SSI (150~260 m³/h)

MODEL NO. EXPLANATION

6"-8"-10" : 108SSI30F105-0486

108 = Flow series m³/h

SSI = Series

30 = Motor kW

F = 304 stainless steel

10 = 10" diameter pump

5 = 50 Hz

04 = Number of stages

8 = Motor size (8")

6 = 6" discharge BSP

4" : 14SSI/25

14 = Flow series m³/h

SSI = Series

25 = Number of stages





SOLAR PUMPING SYSTEM

Flow rate up to 160 m³/hr

Flow rate up to 160 m³/h

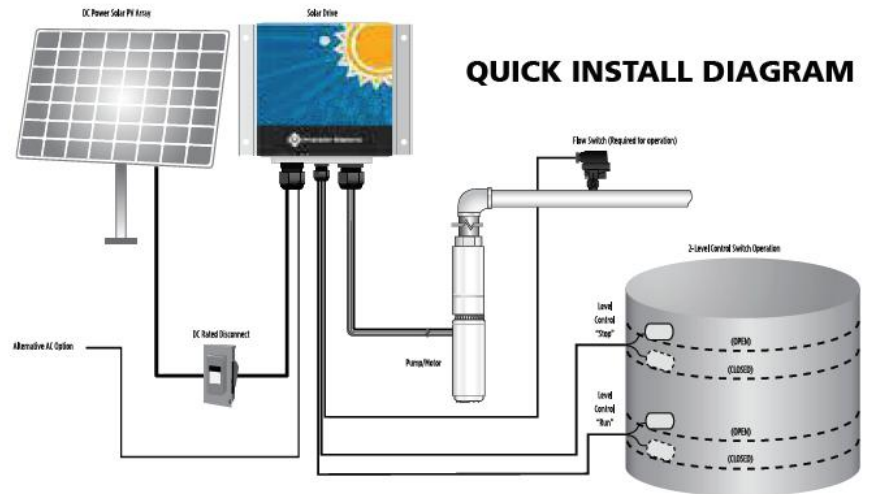
4", 6", 8" & 10" Franklin Submersible Pump

4", 6", or 8" Franklin Electric submersible motor

Solar controller

Flow switch / Float Switch (not included but mandatory to be installed with package)

Motor and drive ratings available: 0.37kW to 22kW (0.55HP to 30HP)



SOLAR CONTROLLER

Three-Phase, 0.75HP - 30HP, 400V Output

Features

- It's an automatic design functions based on the DC input voltage from the solar modules.
- Customised to operate in dual power mode, Solar/Grid supply.
- Complete motor protections in both the modes against supply faults.
- Modular design of the power circuits for simpler maintenance routines.
- Support standard communication protocols (Modbus, Profibus, Device Net, TCP/IP etc.)
- All components are equipped in a powder coated sheet steel enclosures with proper cooling arrangements.



Description	Motor KW Rating	Motor FLC	Required VFD Rating Kw	VFD FLC
Solar Pump Controller Fully Automatic Control Panel with On Off selector Switch, ABB or Siemens Make inverter, output chokes operating distance 120m without voltage drop, Changeover switch for solar / EB functioning, short circuit protections in a powder coated sheet steel enclosure with lock & Key	0.5	2.3 A	0.75	5 A
	0.75	2.8 A	1	5 A
	1	3.8 A	1.5	10 A
	1.5	4.6 A	2	10 A
	2	7.0 A	3	13 A
	3	9.0 A	4	13 A
	4	10.3 A	5.5	13 A
	5.5	14.0 A	7.5	18 A
	7.5	18.5 A	10	23 A
	11	25.0 A	15	31 A
	15	33.0 A	20	38 A
	18.5	42.5 A	25	44 A
22	50.3 A	30	53 A	

4" SUBMERSIBLE MOTOR

Single-Phase 2 Wires & 3 Wires 0.5HP - 5HP, Three-Phase 0.5HP - 10HP

4" Super Stainless Water Well - 1 Phase (With Lead)

Model	Description	KW	HP	Phase	Volts	Hz
21455592045	3W, 1/2, 220, 50 W	0.37	1/2	1	220	50
21455792045	3W, 3/4, 220, 50, W	0.55	3/4	1	220	50
21455892035	3W, 1, 220, 50, W	0.75	1	1	220	50
22435092035	3W, 1.5, 220, 50, W	1.1	1.5	1	220	50
22435192045	3W, 2, 220, 50, W	1.5	2	1	220	50
2243522604	4C1F (3HP,220,50,W) 900lb	2.2	3	1	220	50
2243528602	4C1F (3HP,220,50,W)	2.2	3	1	220	50
2243538602	4C1F (5HP,220,50,W)	3.7	5	1	220	50

Note: Franklin Electric control box required.

4" Super Stainless Water Well - 3 Phase (With Lead)

Model	Description	KW	HP	Phase	Volts	Hz
23456194045	3P, 1/2, 380, 50 W	0.37	1/2	3	380-415	50
23456294045	3P, 3/4, 380, 50, W	0.55	3/4	3	380-415	50
23456394035	3P, 1, 380/425, 50, W	0.75	1	3	380-415	50
23452494035	3P, 1.5, 460/380, 6/5, W	1.1	1.5	3	460/380	60/50
23432594045	3P, 2, 460/380, 6/5, W	1.5	2	3	460/380	60/50

4" High Thrust - 3 Phase (With Lead)

Model	Description	KW	HP	Phase	Volts	Hz
2343262604	4C3F (3HP,460/380,6/5,W) 900lb	2.2	3	3	460/380	60/50
2343268602	4C3F (3HP,460/380,6/5,W)	2.2	3	3	460/380	60/50
2343958602	4C3F (4HP,380/415,50,W)	3	4	3	380	50
2343278602	4C3F (5HP,460/380,60/50,W)	3.7	5	3	460/380	60/50
2343978602	HT, 3P, 5.5, 380, 50, W	4	5.5	3	380	50
2343288602	4C3F (7.5HP,460/380,60/50,W)	5.5	7.5	3	460/380	60/50
2345958602	4C3F (10,460/380,60/50,W)	7.5	10	3	460/380	60/50

4" Sandfighter - 3 Phase (With Lead)

Model	Description	KW	HP	Phase	Volts	Hz
2343268802	4C3F (3HP,460/380,6/5,SF)	2.2	3	3	460/380	60/50
2343278802	4C3F (5HP,460/380,6/5,SF)	3.7	5	3	460/380	60/50
2343288802	4C3F (7HP,460/380,6/5,SF)	5.5	7.5	3	460/380	60/50
2345958802	4C3F (10,460/380,60/50,SF)	7.5	10	3	460/380	60/50

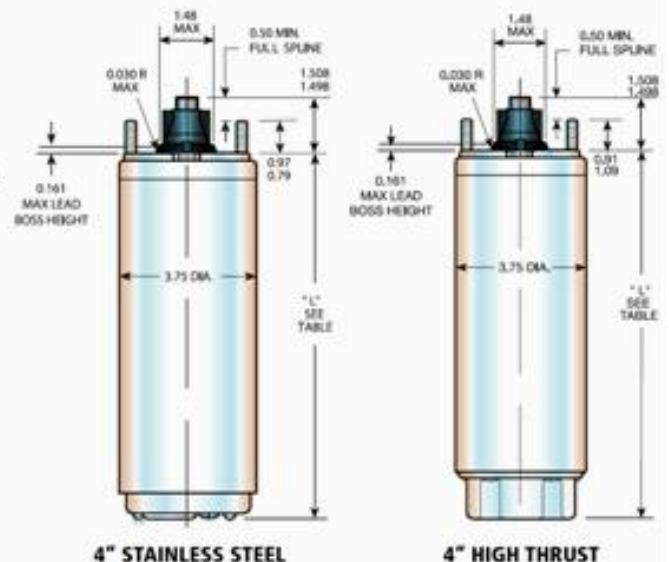
APPLICATION DATA:

These motors are built for dependable operation in 4" diameter or larger water wells. Continuous rating in 86°F (30°C) water.

For further information, refer to Franklin Electric's Submersible Motor: Application, Installation, Maintenance Manual.

SPECIAL FEATURES:

- **316 Stainless Steel:** Special construction option for acid, low pH, and saline applications.
- **Oil Stripper:** Special construction option for secondary oil recovery wells, geothermal or other applications with high ambient temperatures. Consult factory for details.
- **World Wide Adaptability:** All standard voltage and Hertz ratings are offered. Contact Franklin Electric for availability.



6" SUBMERSIBLE MOTOR

Three-Phase 0.5HP - 60HP, 460/380V, 60/50Hz, DOL / Star Delta

6" Water Well - 3 Phase

Model	Description	KW	HP	Phase	Volts	Hz
2366109020	6C3F (5HP,460/380,6/5,W)	3.7	5	3	460/380	60/ 50
2366119020	6C3F (7HP,460/380,6/5,W)	5.5	7.5	3	460/380	60/50
2366129020	6C3F (10HP,460/380,6/5,W)	7.5	10	3	460/380	60/50
2366139020	6C3F (15HP,460/380,6/5,W)	11	15	3	460/380	60/50
2366149020	6C3F (20HP,460/380,6/5,W)	15	20	3	460/380	60/50
2366159020	6C3F (25HP,460/380,6/5,W)	18.5	25	3	460/380	60/50
2366169020	6C3F (30HP,460/380,6/5,W)	22	30	3	460/380	60/50
2366179025	6C3F (40HP,460/380-415,6/5,W)	30	40	3	460/380	60/50
2366188125	6C3F (50HP,460/380,6/5,W) SF	37	50	3	460/380	60/50
2366198125	6C3F (60HP,460/380,6/5,W) SF	45	60	3	460/380	60/50

6" Sand Fighter - 3 Phase

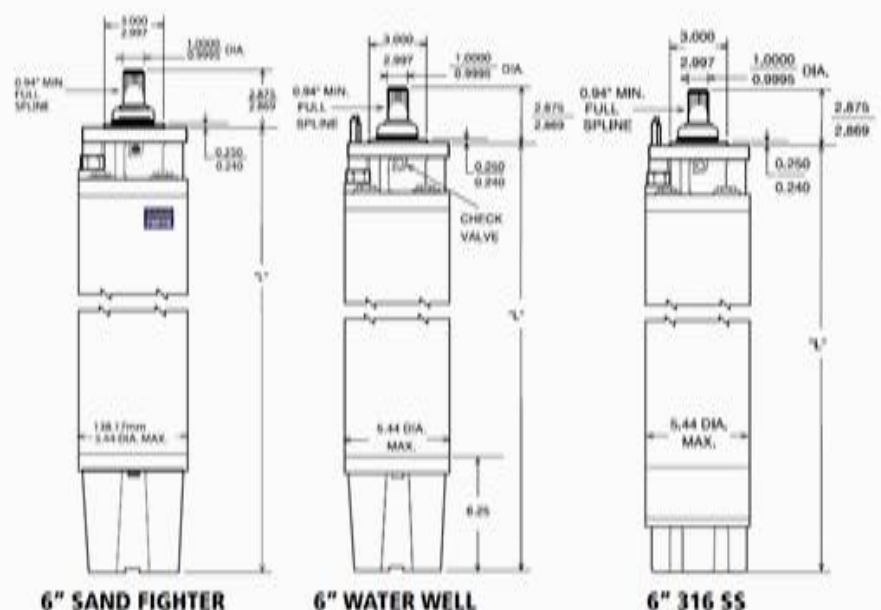
Model	Description	KW	HP	Phase	Volts	Hz
2366108120	6C3F (5HP,460/380,6/5,W) SF	3.7	5	3	460/380	60/50
2366118120	6C3F (7HP,460/380,6/5,W) SF	5.5	7.5	3	460/380	60/50
2366128120	6C3F (10HP,460/380,6/5,W) SF	7.5	10	3	460/380	60/50
2366138120	6C3F (15HP,460/380,6/5,W) SF	11	15	3	460/380	60/50
2366148120	6C3F (20HP,460/380,6/5,W) SF	15	20	3	460/380	60/50
2366158120	6C3F (25HP,460/380,6/5,W) SF	18.5	25	3	460/380	60/50
2366168120	6C3F (30HP,460/380,6/5,W) SF	22	30	3	460/380	60/50
2366178125	6C3F (40HP,460/380,6/5,W) SF	30	40	3	460/380	60/50
2366188125	6C3F (50HP,460/380,6/5,W) SF	37	50	3	460/380	60/50
2366198125	6C3F (60HP,460/380,6/5,W) SF	45	60	3	460/380	60/50

APPLICATION DATA:

These motors are built for dependable operation in 6" diameter or larger water wells. Temperature and time ratings are continuous in 86°F (30°C) water at 1/2ft/sec. flow past the motor. Rotation single-phase, CCW facing shaft end; three-phase, electrically reversible.

SPECIAL FEATURES:

- **316 Stainless Steel:** Special construction option for acid, low pH, and sea water application. All 316 SS motors include a Subtrol-Plus heat sensor.
- **Sand Fighter™** models available for sandy wells. All Sand Fighter models include Subtrol-Plus heat sensor.



8" SUBMERSIBLE MOTOR

Three-Phase 40HP - 200HP, 460/380V, 60/50Hz, DOL / Star Delta

8" Water Well - 3 Phase

Model	Description	KW	HP	Phase	Volts	Hz
2396006021	8C3F (40HP,460/380,6/5,W)	30	40	3	460/380	60/50
2396016021	8C3F (50HP,460/380,6/5,W)	37	50	3	460/380	60/50
2396026021	8C3F (60HP,460/380,6/5,W)	45	60	3	460/380	60/50
2396036021	8C3F (75HP,460/380,6/5,W)	55	75	3	460/380	60/50
2396046021	8C3F (100HP,460/380,6/5,W)	75	100	3	460/380	60/50
2396056004	8C3F (125HP,460/380,6/5,W)	100	125	3	460/380	60/50
2396066004	8C3F (150HP,460/380,6/5,W) SF	110	150	3	460/380	60/50
2396076004	8C3F (175HP,460/380,6/5,W) SF	130	175	3	460/380	60/50
2396086004	8C3F (200HP,460/380,6/5,W) SF	150	200	3	460/380	60/50

8" 316 SS - 3 Phase

Model	Description	KW	HP	Phase	Volts	Hz
2396006221	8C3F (40HP,460/380,6/5,S)	30	40	3	460/380	60/50
2396016221	8C3F (50HP,460/380,6/5,S)	37	50	3	460/380	60/50
2396026221	8C3F (60HP,460/380,6/5,S)	45	60	3	460/380	60/50
2396036221	8C3F (75HP,460/380,6/5,S)	55	75	3	460/380	60/50
2396046221	8C3F (100HP,460/380,6/5,S)	75	100	3	460/380	60/50
2391056204	8C3F (125HP,460/380,6/5,S)	93	125	3	460/380	60/50
2391066204	8C3F (150HP,460/380,6/5,S)	110	150	3	460/380	60/50
2391076204	8C3F (175HP,460/380,6/5,S)	130	175	3	460/380	60/50
2391086204	8C3F (200HP,460/380,6/5,S)	150	200	3	460/380	60/50

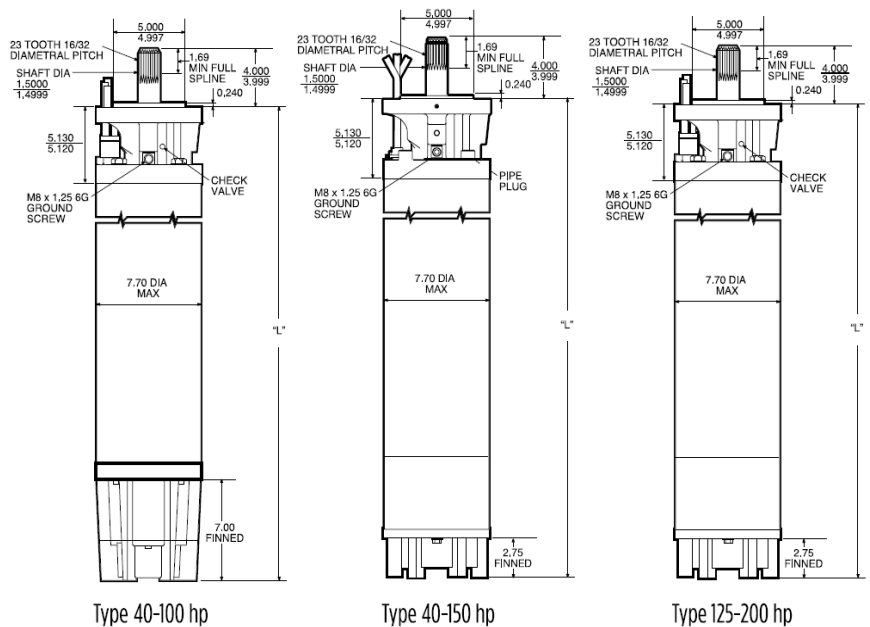
OPTIONS:

- 6-Lead (Y-D) Design
- 316 Stainless Steel designs
- Sand Fighter™ shaft seal standard on 150-200 HP and is an available option on 40-125 HP. All 316SS motors have Sand Fighter™ shaft seal as standard
- Non-vertical application design available
- Other voltage and Hz design points available.

Franklin's exclusive Submonitor™ overload protection options extends motor warranty to 3 years*

This contractor friendly premium motor protection system protects the motor against overload, underload, overheating and rapid cycling.

*Contact Factory for warranty details





Authorized Dealer of



Franklin Electric